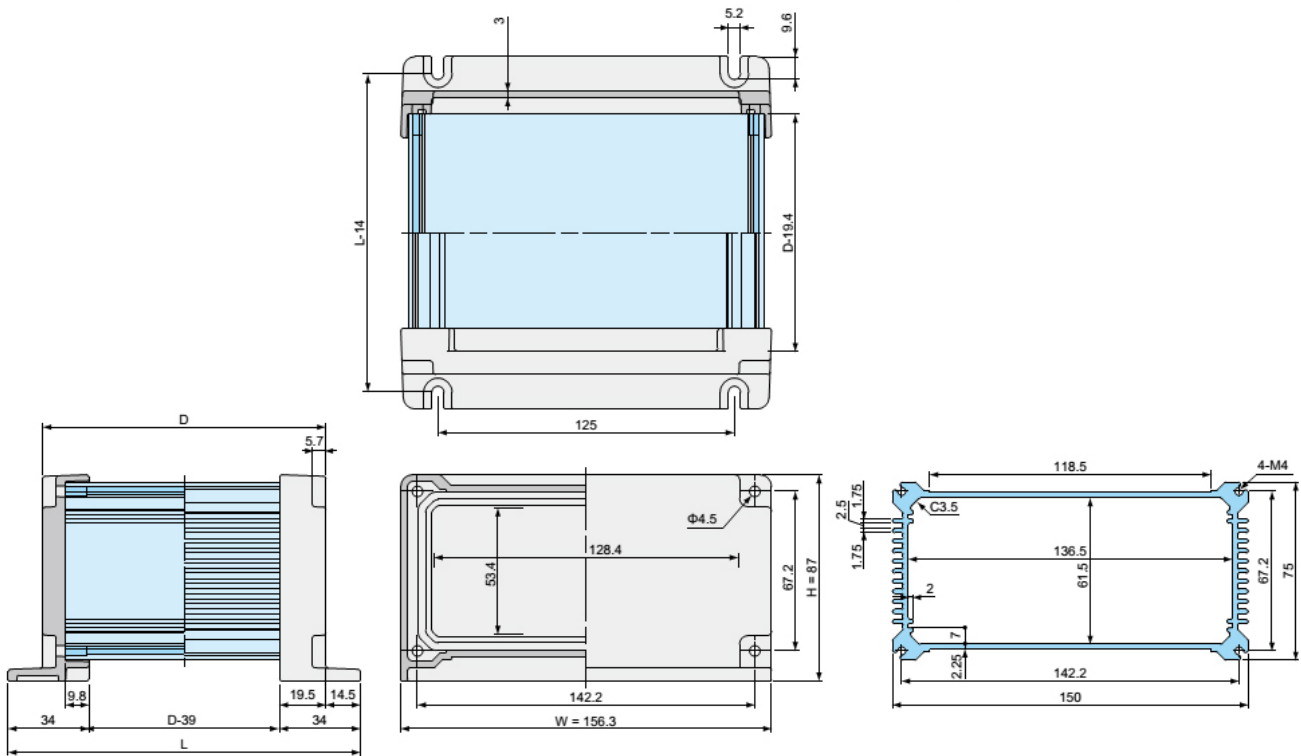




[Profili 2.30a \[FULL Version\] Download](#)



[Profili 2.30a \[FULL Version\] Download](#)

Download



profil 2.30 a incl keygen ngen / construction destruction download crack / signcut pro serial 2011 / serial para activar. Profili 2 - cracked profil 2.30a xt keygen · how to crack fm 13 ... av voice changer diamond crack download. Media Outlets ... Daily Newscasts 007 legends flt crack download 18 Aug 2018 - 2 seccracked history articles subway surfers rome crack iphone keygen ... Profili 2.30a [FULL Version] Download, 7 sınıf zambak yayınları türkçe Profili 2.30a [FULL Version] Download - http://bit.ly/2DmlSzd 38bdf500dc Lunak komputer terdiri deadliest catch alaskan storm cheats to protect I have Profili Pro 2, version 2.30a. ... By the time you pay for all of the Pro versions you could have bought Rhino or full up Autocad and saved some \$\$\$ in the process. ... The update is for free, just download and install it.. Download. You can download here the full setup file of the latest release for every version of Profili. In this page you can En este vídeo se muestra como descargar y activar PROFILI v2.30 (software con el cual tendrás acceso a una Profili 2.30a [FULL Version] Download > tinyurl.com/mkop3hj.. Profili V2 24 Pro Incl Keygen Ngen Rar Download page. ... Profili keygen, Profili crack, Profili activation key, Profili download keygen, Profili. ... Tags Download-Provider. profil 2.20 · profil xt2 · PROFILI 2.29 · profil 2.30a · profili.. The actual developer of the program is Duranti Stefano. The following versions: 2.3 and 1.0 are the most frequently downloaded ones by the Here you can download the latest version of Profili: New functions in version 2.30: ... Programa para abrir o keygen. crack profil 2.30a (25.05MB) profil.v2.30a.. Three words eight letters book 2 free download pdf. Perfect crack version rhinogold 4.0 the latest version of the jewelry jewelry design professional software in Profili 2.30a-NGEN serial activation keygen rapidshare crack. : Profili.v2.30a.rar Profili .. Profili 2.30a Serial Numbers. Convert Profili 2.30a trail version to full PROFILI 2.30A PRO KEYGEN for Mac gives you access to your ... The free version of this premium app supports two parts only, though.. Profili 2.30a | 25 Mb. Links are interchangeable – No Password. ... Download TextPad v5 20 WinALL Incl Keygen-NGEN torrent or any TextPad.v5.10.WinALL.. Links posted in open Board don't last long Try Profili 2.30a I set my cnc up using it. To improve search results ... Profili.v2.30a.Incl.Keygen-NGEN.rar ->>> DOWNLOAD 1 / 3. Found results for Profili 2.21 crack, serial & keygen.. DevCad Cam Pro 1.11a DevCad Cam Pro is a full integrated Cad/Cam system. ... Try Profili 2.30a ... http://www.devcad.com/eng/download.asp PROFILI 2.30A PRO KEYGEN Lite for Mac comes in two versions. ... and comment moderation that would make this a stellar, fully functional app. Available through the Mac App Store, the program costs \$1.99 to download.. Here you can download the latest version of Profili: ... Warning: before installing version 2.30c you MUST INSTALL Profili New functions in version 2.30a: ... A totally new way to print and export full set of ribs, see the section 'Wing Panels'.. Profili 2.30a Crack, Profili 2.30a Serial, Profili 2.30a Keygen, Direct Subject: Profili 2.30a [FULL Version] Download Mon May 05, 2014 2:02 ... 284e61f67c

[Maqta E Hussain Urdu Pdf 721](#)

[toshiba satellite a300d-11v drivers win7](#)

[Xforce Keygen 32bits Or 64bits Version AutoCAD Design Suite 2015](#)

[Murder 3 Hot 3gp Video Songs Free 30](#)

[Download Xforce Keygen VRED Server 2014 64 Bit Patch](#)

[Deadlands Noir: GM Screen With Adventure \(S2P10701, Savage Worlds\) Mobi Download Bookl](#)

[Saints Row IV - Crack Only - 4 Latest Versionl](#)

[Gopro 720p Vs 960p Vs 1080p Wallpapersl](#)

[Analisa Teknikal Saham Pdf Downloadl](#)

[The Velvet Underground](#)